

# Industrial Workstation Selection Guide

1  
Automation  
Panel  
Solutions



2  
All-in-One  
Touch POS

3  
Digital  
Signage

4  
Video Wall  
Controller

5  
RISC-  
based  
Solutions

6  
PACSmate  
Medical

7  
Optional  
Peripherals

Model	WS-612GS	WS-843GS	WS-855GS	WS-875GS
<b>LCD Size</b>	10.4"	12.1"	15"	17"
<b>Resolution</b>	800 x 600	800 x 600	1024 x 768	1280 x 1024
<b>Brightness (cd/m<sup>2</sup>)</b>	230	400	350	300
<b>Contrast</b>	500:1	500:1	400:1	500:1
<b>LCD color</b>	262K	262K	262K	16.2M
<b>Backlight Hours</b>	50000	50000	50000	50000
<b>Input Interface</b>	Analog VGA (DB-15)			
<b>Slot</b>	7 slots	10 slots	10 slots / MB	10 slots / MB
<b>Form Factor</b>	Full / half size SBC		Full / half size SBC / m-ATX motherboard	
<b>Mounting</b>	19" rack mount			
<b>Rack Height</b>	6U	7U	8U	9U
<b>Front Frame</b>	Aluminum			
<b>IP Level</b>	IP64			
<b>Keypad</b>	63 Keys	59 Keys	59 Keys	59 Keys
<b>Function Key</b>	20 Keys	10 Keys	10 Keys	10 Keys
<b>Touch Pad</b>	Yes			
<b>Front Panel USB</b>	4	2	2	2
<b>HDD Drive Bay</b>	1 x 3.5" HDD	1 x 3.5" HDD	1 x 3.5" HDD	1 x 3.5" HDD
<b>CD-ROM Drive Bay</b>	N/A	1 x 5.25" CD-ROM	1 x 5.25" CD-ROM	1 x 5.25" CD-ROM
<b>FDD Bay</b>	1 x 3.5" FDD	1 x 3.5" FDD	1 x 3.5" FDD	1 x 3.5" FDD
<b>System Fan</b>	12cm ball bearing 99.6 CFM fan			
<b>Touch Screen</b>	5-wire resistive touch screen			
<b>Vibration</b>	5 ~ 17 Hz, 0.1" double amplitude displacement / 17~640 Hz, 1.5G acceleration peak to peak			
<b>Shock</b>	10G acceleration peak to peak (11ms)			
<b>Relative Humidity</b>	5 ~ 95%, non-condensing			
<b>Operating Temperature</b>	0°C ~ 50°C			
<b>Color</b>	Silver (Pantone PMS-8001)			
<b>Dimensions (W x H x D) (mm)</b>	483 x 266 x 248	483 x 310 x 268	483 x 353 x 261	483 x 398 x 268
<b>Weight (NW / GW)</b>	9.2 / 14.4 kg	10.7 / 17.2 kg	12 / 18.2 kg	14.2 / 20.6 kg
<b>Recommand Backplane</b>	PCI-7S, IP-7S, BP-7S, PCIAGP-6S, HPE-7S1, PE-6S/7S, PE-7S2	PCI-10S/10S2, PX-10S, PE-10S, IP-10S, IPX-9S, BP-10S, HPE-7S1/8S, PE-6S / 7S / 7S2 / 8S / 9S /10S		
<b>Recommand m-ATX MB</b>	N/A		IMB-9454, IMB-9452, IMB-8550, IMB-9154	
<b>Power Supply</b>	ACE-916A(AP)-RS (AT), ACE-4518AP-RS, ACE-4520C-RS, ACE-4525AP-RS, ACE-815C(T)-RS, ACE-816A(AP)-RS,	AT: ACE-925A(AP/AP-U/M)-RS, ACE-932A-RS, ACE-935AL-RS, ACE-940AP-RS, ATX: ACE-4860AP-RS, ACE-828A(C/M/V)-RS, ACE-832A(AP/AP-S)-RS, ACE-840A-RS, ACE-841AP-S-RS, ACE-850AP-RS-24,		

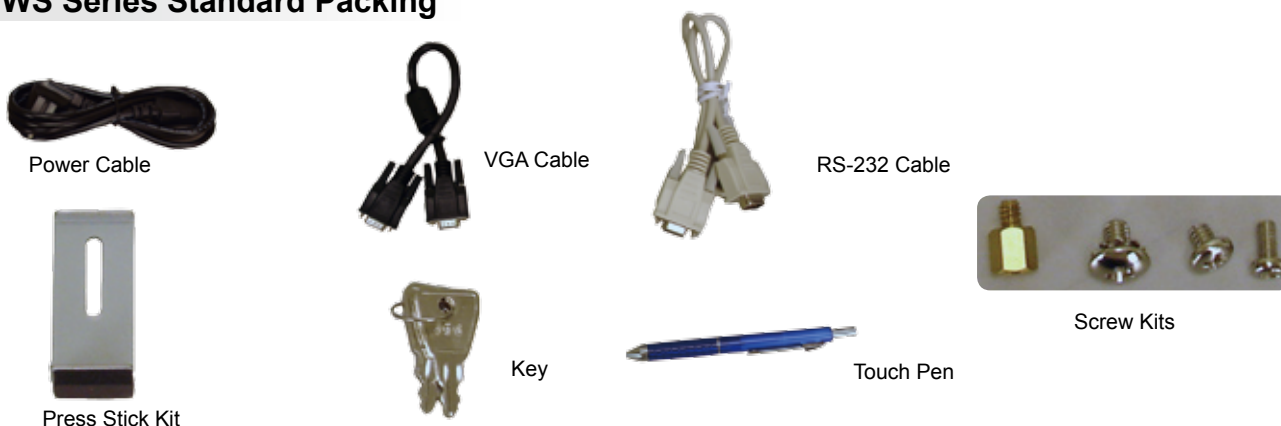
## Packing Information

Part Number	Description	Amount	Remark
32000-000002-RS	AC Power Cable	1	Standard Packing, for Europe, 32000-000004-RS for South Africa 32000-000022-RS for Australia, 32000-000025-RS for America 32000-000026-RS for Switzerland
32000-023200-RS	VGA Cable	1	
32100-034801-RS	PS_ON Cable for ATX signal	1	
41015-0003C0-00-RS	Press Stick Kit (Long)	4	
41015-0004C0-00-RS	Press Stick Kit (Short)	3	
47001-000101-RS	Press Stick Rubber	7	
	User Manual	1	
32000-075000-RS	KeyPad / MousePad PS/2 Cable	1	For SBC models
32000-078400-RS	KeyPad / MousePad PS/2 Cable	1	For m-ATX (Motherboards) models
32000-000050-RS	RS-232 Cable / Touch Pen / Driver CD-ROM for Touch Screen	1	

## Ordering Information

Part NO	Description
WS-612GS / 4525AP / T-R	6U,10.4" 230cd/m <sup>2</sup> SVGA LCD 8-Slot Industrial Workstation,Aluminum Front,Silver Color, W/ACE-4525AP, W/10.4" Touch Screen,RoHS
WS-843GS/832AP/T-R	7U,12.1" 400cd/m <sup>2</sup> SVGA LCD 10-Slot Industrial Workstation,Aluminum Front,Silver Color,W/ACE-832AP/12.1" Touch Screen,RoHS
WS-855GS/832AP/T-R	8U,15" 350cd/m <sup>2</sup> XGA LCD 10-Slot Industrial Workstation with ACE-832AP-RS 300W ATX with PFC power supply and 15" resistive touch screen,RoHS
WS-855GSATX / 832AP / T-R	8U m-ATX 15" 350cd/m <sup>2</sup> XGA LCD workstation with ACE-832AP-RS 300W ATX with PFC power supply and 15" resistive touch screen, M-ATX version
WS-875GS / 832AP/T-R	9U, 17" 300cd/m <sup>2</sup> SXGA TFT LCD workstation with ACE-832AP-RS 300W ATX with PFC power supply and 17" resistive touch screen
WS-875GSATX / 832AP / T-R	9U,17" 300cd/m <sup>2</sup> SXGA LCD workstation with ACE-832AP-RS 300W ATX with PFC power supply and 17" resistive touch screen, M-ATX version
WS-895GS / 832AP / T-R	9U 10-slot 19" 300cd/m <sup>2</sup> SXGA TFT LCD workstation with ACE-832AP-RS 300W ATX with PFC power supply and 19" resistive touch screen
WS-895GSATX / 832AP / T-R	9U 10-slot 19" 300cd/m <sup>2</sup> SXGA TFT LCD workstation with ACE-832AP-RS 300W ATX with PFC power supply and 19" resistive touch screen, M-ATX version

## WS Series Standard Packing



1  
Automation Panel Solutions

2  
All-in-One Touch POS

3  
Digital Signage

4  
Video Wall Controller

5  
RISC-based Solutions

6  
PACsmate Medical

7  
Optional Peripherals

**Dimensions (Unit: mm)**

1  
Automation  
Panel  
Solutions

2  
All-in-One  
Touch POS

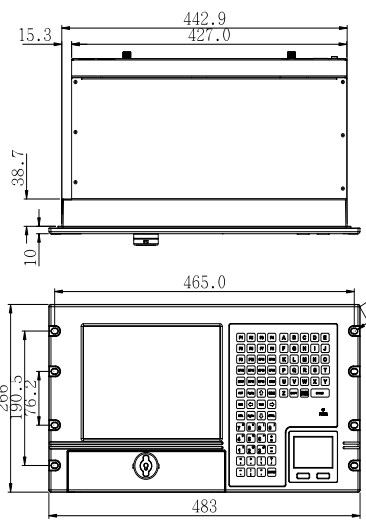
3  
Digital  
Signage

4  
Video Wall  
Controller

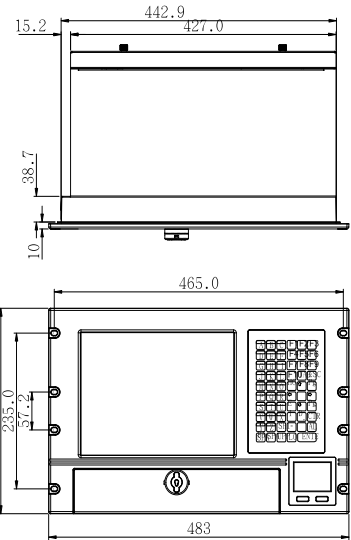
5  
RISC-  
based  
Solutions

6  
PACsmate  
Medical

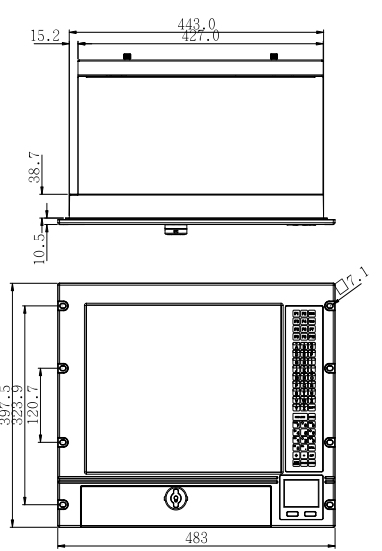
7  
Optional  
Peripherals



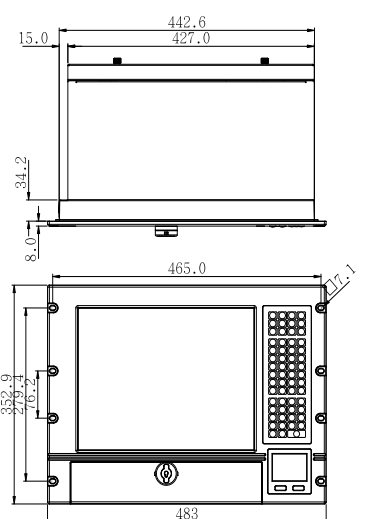
**WS-612GS**



**WS-843GS**



**WS-875GS**



**WS-855GS**