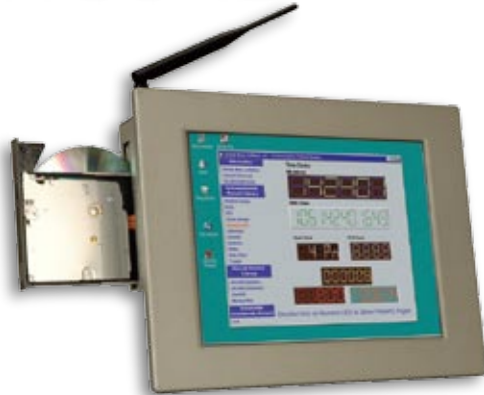


Industrial Aluminum PPC-37 Series

PPC-3712

Intel® Celeron® M/Intel® Atom™ N270 Processor with 12.1" SVGA / XGA TFT LCD and Touchscreen



Features

1. 12.1" TFT SVGA/XGA LCD
2. Supports 2 GB (max.) 400/533 MHz DDRII SO-DIMM
3. Dual Ethernet
4. Fanless and ultra-low power consumption
5. Optional 802.11 b/g wireless LAN module
6. One CompactFlash® Type II socket
7. IP 65 compliant aluminum die-casting front panel

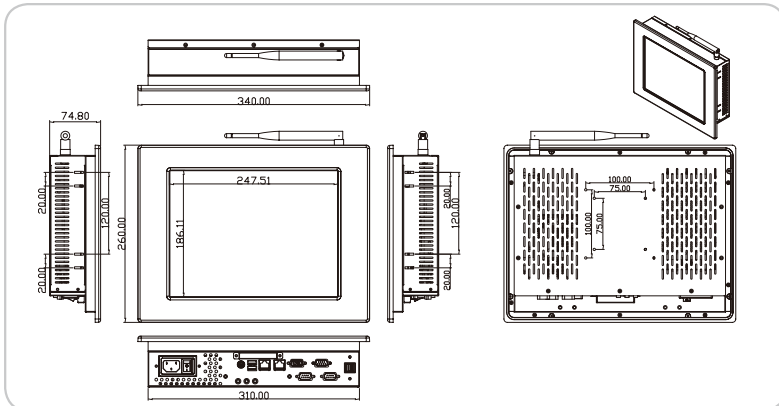
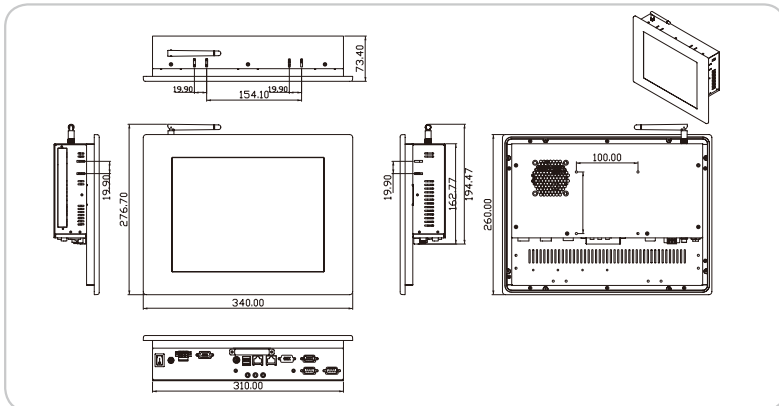
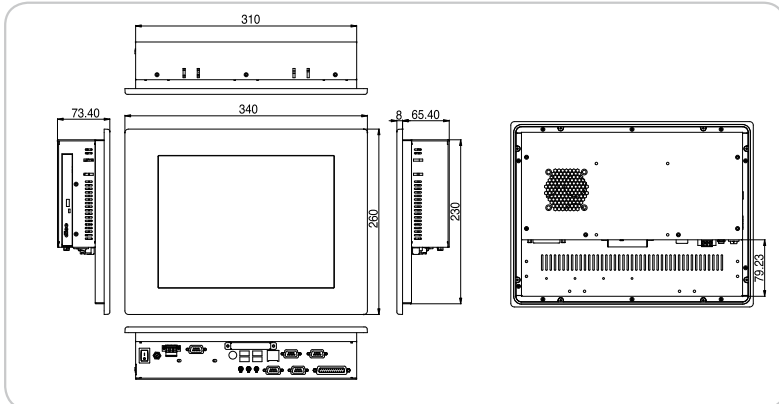


Specifications



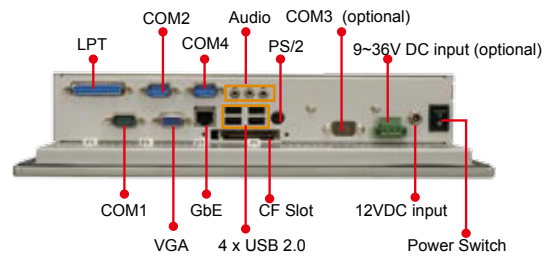
Model		PPC-3712GS/8522	PPC-3712GXS/8522	PPC-3712GXS/9452	PPC-3712A/N270	PPC-3712B/N270
Display	LCD Size	12.1"				
	Max Resolution	800(W) x 600(H)	1024(W) x 768(H)			
	Brightness (cd/m ²)	400	450			
	Contrast Ratio	500 : 1	700 : 1			
	LCD Color	262K				
	Pixel Pitch (mm)	0.240(H) x 0.240(V)				
	Viewing Angle (H-V)	140° / 110°	160° / 160°			
	Backlight MTBF (hrs)	50,000				
Motherboard	SBC Model	NANO-8522		NANO-9452	NANO-945GSE-N270	NANO-945GSE-N270
	CPU	Socket 479 2.1GHz (max.) Intel® Pentium® M / Celeron® M with 400 MHz 1 GHz or 600 MHz Intel® Celeron® zero cache CPU		Socket M Intel® Core™2 Duo, Core Duo, Core Solo with 667MHz FSB Intel® Celeron® M 533MHz FSB	Intel® Atom™ process N270 1.6GHz CPU	
	Chipset	Intel® 852GM + ICH4		Intel® 945GM + ICH7M	Intel® 945GSE + ICH7M	Intel® 945GSE + ICH7M
	RAM	Supports one 266/200MHz DDR SO-DIMM (1GB Max.)		Supports one 400/533/667 MHz DDRII SO-DIMM (1GB Max.)	Supports one 533MHz DDRII SO-DIMM (2GB Max.)	Supports one 533MHz DDRII SO-DIMM (2GB Max.)
I/O Ports and Switches		3 x RS232 COM Port (One optional for Touch Screen) 1 x RS-232/422/485 Port 1 x RJ-45 for LAN Port 4 x USB 2.0 1 x VGA Port 1 x Audio (Line-in, Line-out, MIC-in) 1 x PS/2 (KB/MS) 1 x LPT 1 x 12VDC input Power Jack 1 x Power Switch 1 x 9~36VDC input Terminal block (Optional)		2 x RS232 COM Port 1 x RS-232/422/485 Port 2 x RJ-45 for LAN Port 2 x USB 2.0 1 x VGA Port 1 x Audio (Line-in, Line-out, MIC-in) 1 x PS/2 (KB/MS) 1 x 12VDC input Power Jack 1 x Power Switch	2 x RS232 COM Port 1 x RS-232/422/485 Port 2 x RJ-45 for LAN Port 2 x USB 2.0 1 x VGA Port 1 x Audio (Line-in, Line-out, MIC-in) 1 x PS/2 (KB/MS) 1 x 12VDC input Power Jack 1 x Power Switch	
Driver Bay	HDD Driver Bay	1 x 2.5" SATA/IDE HDD Bay		1 x 2.5" SATA HDD bay with anti-shook		
	SSD	CF Type II				
	CD-ROM Driver Bay	Slim Type CD-ROM Bay				N/A
Extension Slot		N/A		1 x Wireless Lan 802.11 b/g Module (internal Mini PCIe interface)		
Physical	Construction Front Panel	Aluminum				
	Construction Chasis	Heavy-duty Steel				
	Mounting	Panel, Wall, Rack, Stand and Arm VESA 100mm x 100mm				
	Front Panel Color	Silver (Pantone 8001C)				
	Dimensions (WxHxD) (mm)	340 x 260 x 73.4				
	Net Gross Weight	6 Kg / 8 Kg				
Environment	Operation Temperature (°C)	-10°C ~50°C				
	Storage Temperature (°C)	-20°C ~60°C				
	Vibration	5~17Hz, 0.1" double amplitude displacement, 17~640Hz, 1.5G acceleration peak to peak				
	Shock	10G acceleration part to part (11ms)				
Touch Screen	Resistive Type 5-Wire with RS-232 interface					
Power Supply	For BGA Model - P/N: 63000-FSP0601AD101C746-RS - 60W Power Adapter - Input: 90VAC~264VAC, 50/60Hz - Output: 12VDC For Socket Model - P/N: 63000-SPU65105-RS - 80W Power Adapter - Input: 90VAC~260VAC, 50/60Hz - Output: 12VDC		Power Adapter - P/N: 63000-FSP0841ADC11118-RS - 84W Power Adapter - Input: 90VAC~264VAC, 50/60Hz - Output: 12VDC		Power Adapter - P/N: 63000-FSP0601AD101C746-RS - 60W Power Adapter - Input: 90VAC~264VAC, 50/60Hz - Output: 12VDC	
Front Panel Protection	IP65 Compliant					
Certificate	Meets CE, FCC					
Ethernet	Intel® 82551ER for 10/100Mbps		Dual PCIe Broadcom BCM5787M GbE chipsets with ASF2.0 remote control support		Dual Realtek RTL8111CP GbE Controllers	
Audio	AC' 97 2.3 Realtek ALC 655		AC' 97 2.3 Realtek ALC 883		AC' 97 2.3 Realtek ALC 655	

Dimensions (Unit: mm)

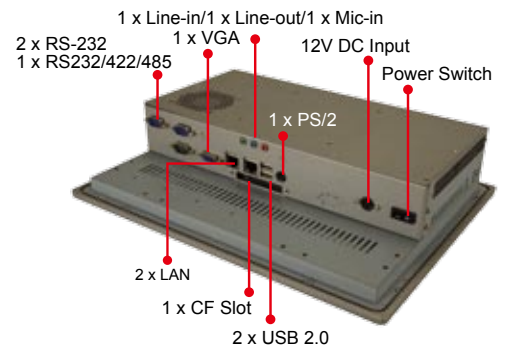


Fully Integrated I/O

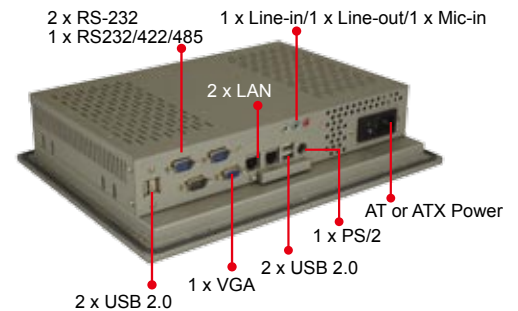
● **PPC-3712GS/8522**



● **PPC-3712A, PPC-3712GXS/9452**



● **PPC-3712B**



IEI's New PPC-3712BA/BT Supports More Features as :

85~264V AC or 36~72 V DC power supply built in without external power adapter



DC 48V Input AC Input Directly



All New Power Selection



A: PPC-3712BA/NANO-945GSE/ACE-890A ACE-890A
86 W AC-DC Open Frame AT Power Supply



B: PPC-3712BT/NANO-945GSE/ACE-709TX ACE-709TX
DC Input Open Frame ATX Power

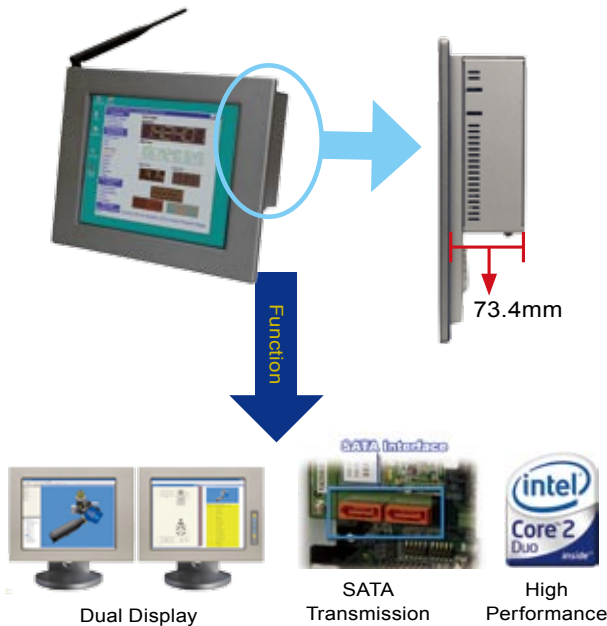
Input Type	85 ~ 264 VAC Full Range		
Output Voltage	+5 V	+12 V	-12V
ACE-890A	10A	2.5 A	0.5A
Efficiency	70%		
Temperature	Operating : 0 °C ~ 50 °C, Storage : -20 ~ 85 °C		
MTBF(hrs)	268,000(ACE-890A)		

Input Type	36 ~ 72 VDC (ACE-709TX)		
Output Voltage	+5 V	+12 V	-12V
ACE-890A	10A	2.5 A	0.5A
Efficiency	70%		
Temperature	Operating : -20 °C ~ 70 °C, Storage : -20 °C ~ 85 °C		
MTBF(hrs)	170,000 (ACE-709TX)		

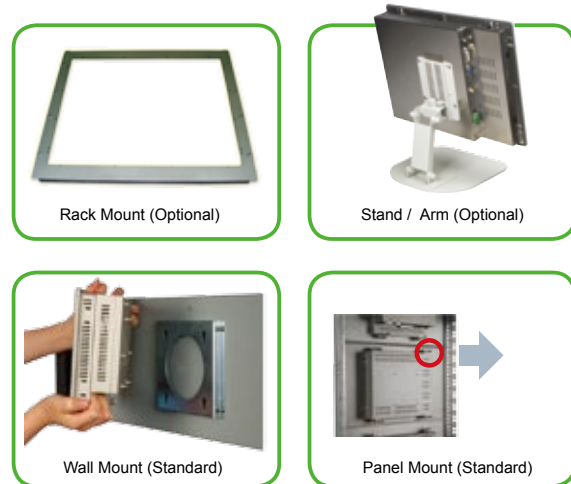


High Performance & Compact Size

High performance and compact size allow users to set up the PPC-3712GS in a wide range of applications



IQ Mount Supporting List



Packing List

Description	Part Number	Amount
CD-ROM Installation Kit	19B00-000032-RS	1
Power Cord	32000-000002-RS	1
PS/2 Cable	32000-000138-RS	1
Jumper Pack	33100-000033-RS	1
Power Adapter (For GS Model Only)	63000-FSP0601AD101C746-RS - 60W 63000-SPU65105-RS - 80W ACE-890A-RS - 86W ACE-709TX-RS - 90W	1
Screw Kit	19600-000207-RS	1
HDD IDE Cable	32200-074000-RS (PPC-3712GHS/8522)	1
Panel Mounting Kit	PK-121M	1
Panel Mounting Bracket	41019-0 45J4-00-RS	4
Wall Mounting Kit	WK-190MS-R10	4
User Manual & Driver CD		1
Touch Screen Driver CD / Touch Pen (For T-R model only)		1

Options

Panel Mounting Kit	PK-121M
Wall Mounting Kit	WK-190MS-R10
Rack mount kit	RK-121MS-R10
LCD Monitor Arm	ARM-11-RS
LCD Monitor Stand	STAND-100-RS/STAND-150-RS

Ordering Information

Platform	Model	Description
Intel® 852GM Platform	PPC-3712GMS/8522-1GZ/T-R/512MB-R11	12.1" 400 cd/m ² SVGA TFT panel PC with NANO-8522,CPU Celeron M 1.0GHz zero cache,Silver Color,9~36V DC Input,512MB RAM and touch screen,RoHS
	PPC-3712GS/8522-1GZ/T-R/512MB-R11	12.1" 400 cd/m ² SVGA TFT panel PC with NANO-8522,CPU Celeron M 1.0GHz zero cache,Silver Color,512MB RAM and touch screen,RoHS
	PPC-3712GMS/8522-CM370/T-R/512MB-R11	12.1" 400 cd/m ² SVGA TFT panel PC with NANO-8522,CPU Celeron M 1.5GHz,Silver Color,9~36V DC Input,512MB RAM and Touch Screen,RoHS
	PPC-3712GS/8522-CM370/T-R/512MB-R11	12.1" 400 cd/m ² SVGA TFT panel PC with NANO-8522,CPU Celeron M 1.5GHz,Silver Color,512MB RAM and touch screen,RoHS
	PPC-3712GXMS/8522-1GZ/T-R/512MB-R11	12.1" 450 cd/m ² XGA TFT panel PC with NANO-8522,CPU Celeron M ULV 1GHz,Silver Color,9~36V DC Input, 512MB RAM and touch screen,RoHS
	PPC-3712GXS/8522-1GZ/T-R/512MB-R11	12.1" 450 cd/m ² XGA TFT panel PC with NANO-8522,CPU Celeron M ULV 1GHz,Silver Color,512MB RAM and Touch Screen,RoHS
	PPC-3712GXMS/8522-CM370/T-R/512MB-R11	12.1" 450 cd/m ² XGA TFT panel PC with NANO-8522,CPU Celeron M 1.5GHz,Silver Color,9~36V DC Input,512MB RAM and touch screen,RoHS
Intel® 945GM Platform	PPC-3712GXS/NANO-9452-CM440/T-R/1GB	12.1" 450 cd/m ² XGA TFT panel PC with NANO-9452,1.86 GHz Intel® Celeron® M CPU,Silver color and touch screen,w/ 1GB DDR2 RAM, RoHS
	PPC-3712GXS/NANO-9452-CM440/WT-R/1GB	12.1" 450 cd/m ² XGA TFT panel PC with NANO-9452,1.86 GHz Intel® Celeron® M CPU,Silver color and touch screen,802.11 b/g module,w/ 1GB DDR2 RAM,RoHS
	PPC-3712GXS/NANO-9452-T2300E/T-R/1GB	12.1" 450 cd/m ² XGA TFT panel PC with NANO-9452,1.66 GHz Intel® Celeron® M CPU,Silver color and touch screen,w/ 1GB DDR2 RAM, RoHS
	PPC-3712GXS/NANO-9452-T2300E/WT-R/1GB	12.1" 450 cd/m ² XGA TFT panel PC with NANO-9452,1.66 GHz Intel® Celeron® M CPU,Silver color and touch screen,802.11b/g,w/ 1GB DDR2 RAM,RoHS
Intel® Atom™ Platform	PPC-3712A/NANO-N270/T-R/1GB-R10	12.1" 450 cd/m ² XGA panel PC with Intel® Atom™ N270 1.6GHz/ 512KB L2 cache processor,1GB DDR2 RAM and touch screen,12VDC input
	PPC-3712A/NANO-N270/WT-R/1GB-R10	12.1" 450 cd/m ² XGA panel PC with Intel® Atom™ N270 1.6GHz/ 512KB L2 cache processor,1GB DDR2 RAM and touch screen,built-in 802.11 b/g wireless with one PCIe mini expansion slot,12VDC input
	PPC-3712BA/NANO-N270/890A/T-R/1GB-R10	12.1" 450 cd/m ² XGA fanless panel PC with Intel® Atom™ N270 1.6GHz/ 512KB L2 cache processor, w/ACE-890A AC input power supply, 1GB DDR2 RAM and touch screen, RoHS
	PPC-3712BA/NANO-N270/890A/WT-R/1GB-R10	12.1" 450 cd/m ² XGA fanless panel PC with Intel® Atom™ N270 1.6GHz/ 512KB L2 cache processor, w/ACE-890A AC input power supply, 1GB DDR2 RAM and touch screen, built-in 802.11 b/g wireless with one PCIe mini expansion slot,RoHS
	PPC-3712BT/NANO-N270/709TX/T-R/1GB-R10	12.1" 450 cd/m ² XGA fanless panel PC with Intel® Atom™ N270 1.6GHz/ 512KB L2 cache processor, w/ACE-709TX DC input power supply, 1GB DDR2 RAM and touch screen, RoHS
	PPC-3712BT/NANO-N270/709TX/WT-R/1GB-R10	12.1" 450 cd/m ² XGA fanless panel PC with Intel® Atom™ N270 1.6GHz/ 512KB L2 cache processor, w/ACE-709TX DC input power supply, 1GB DDR2 RAM and touch screen, built-in 802.11 b/g wireless with one PCIe mini expansion slot, RoHS